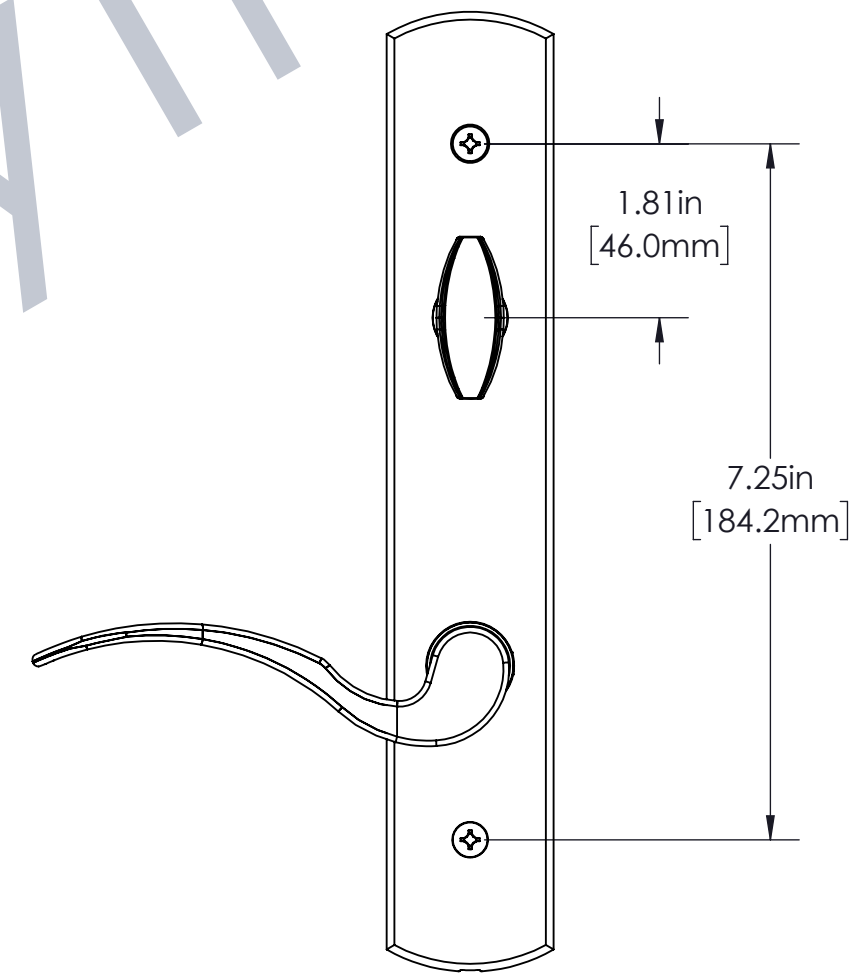
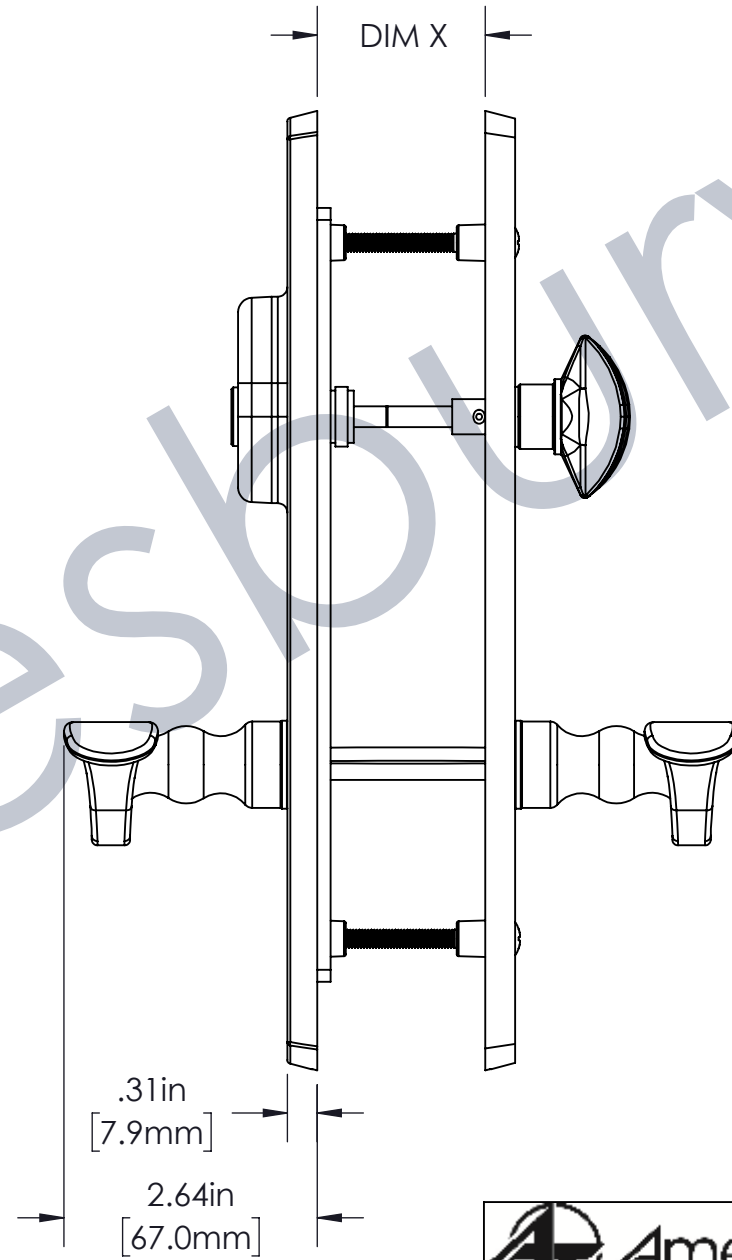
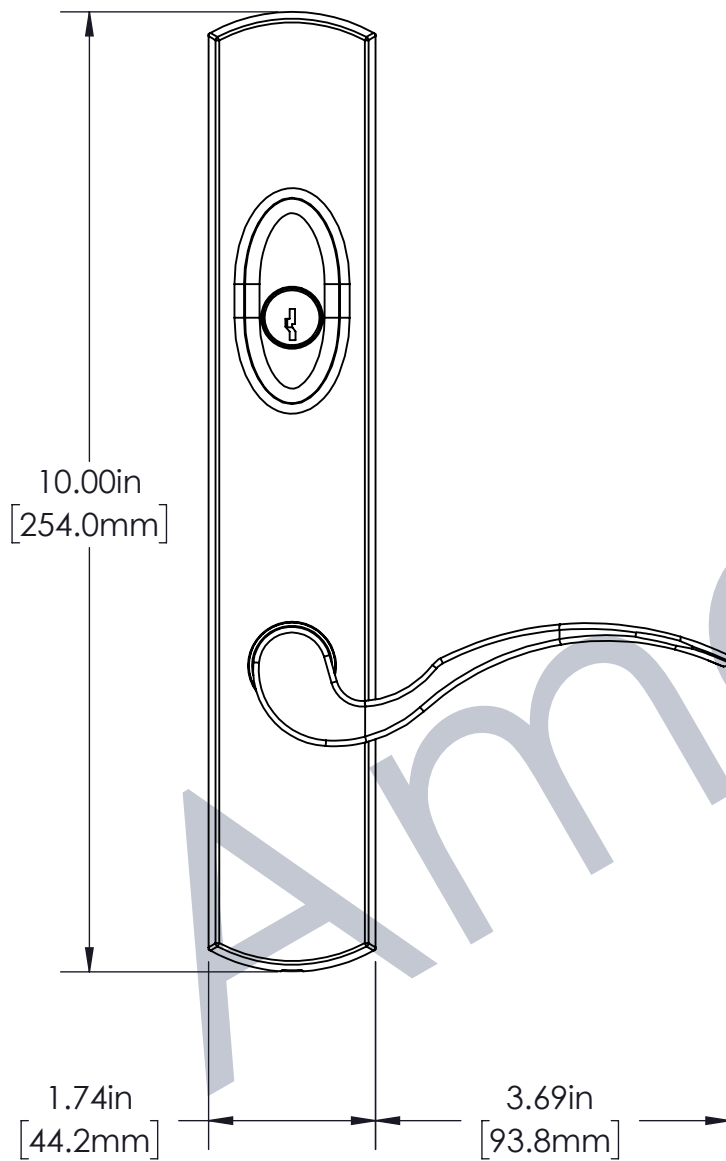


TRIMSET	DESCRIPTION	DIM X
W5206T-K0100	STANDARD	1.7"
W5206T-K0200	STANDARD	2.0"
W5206T-K0300	KEYED ALIKE	1.7"
W5206T-K0400	KEYED ALIKE	2.0"
W5206T-K0500	KEYED ALIKE, PAINTED	1.7"
W5206T-K0600	KEYED ALIKE, PAINTED	2.0"
W5206T-K0700	PAINTED	1.7"
W5206T-K0800	PAINTED	2.0"



CUSTOMER PAGE

**Amesbury Truth**  
 Engineered Solutions. Trusted Results.

THE INFORMATION CONTAINED IN THIS DRAWING IS CONFIDENTIAL AND PROPRIETARY. THIS DRAWING IS NOT TO BE COPIED OR REPRODUCED IN WHOLE OR IN PART WITHOUT EXPRESS WRITTEN PERMISSION.

INTERPRET PER:  
 ASME Y14.5M-2009  
 UNITS: INCH

THIRD ANGLE PROJECTION

DRAWING TITLE:  
 TRUE ELEGANCE KEYED HANDLE SET

SCALE: 1:2

DRAWING #: **W5206T-K**

SHEET 1 OF 1